

# EQ-Max8

Remote Controlled Home Theater Subwoofers

## Features

*One-touch Auto-EQ*

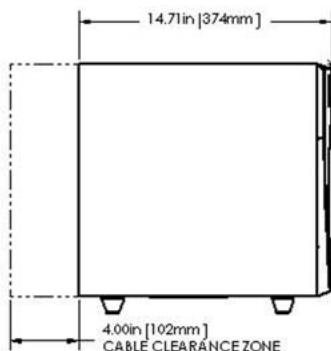
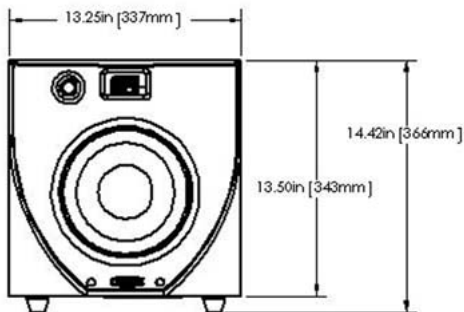
*Maximum output and impact*

*Remote control*

*Efficient green digital amplifier*

*Superior digital performance*

*Digital Distortion Limiting system*



## SPECIFICATIONS

MODEL	EQ-Max8
Woofers	8" (20.3 cm) forward firing (6.3" piston diameter)
Amplifier: Class D	360 watts Dynamic/ 180 watts RMS Power
Cabinet Design	Extended Excursion Down-firing port
Frequency Response	Overall (+/-3 dB) 17 - 240 Hz 32 - 120 Hz
Voice Coil	2-Layer copper
Cone	Reinforced fiber
Magnet Weight	4.66 lbs
High-Pass Crossover	80 Hz*, 6 dB/octave
Low-Pass Crossover	40 - 135 Hz adjustable (12 dB octave, 24 dB ultimate)
Inputs	Gold plated line-level nickel plated speaker level
Outputs	Gold plated line-level nickel plated speaker level
Digital Phase	0, 90, 180, 270 degrees
Auto On/Off	Yes
Removable Grille	Yes
LED Display	Yes
Accessories	Mic, mic stand, remote control
Cabinet (H,W,D) (includes feet and grille)	14.5" x 13.25" x 14.875" (36.8 x 33.7 x 37.8 cm)
Warranty (parts/labor) (North America)	Three years (electronics) Five years (drivers)
Shipping Weight (approx.)	44 lbs. (20 Kg)

\* Note: Varying speaker and amplifier input load impedances may cause the high-pass crossover frequency to slightly vary.